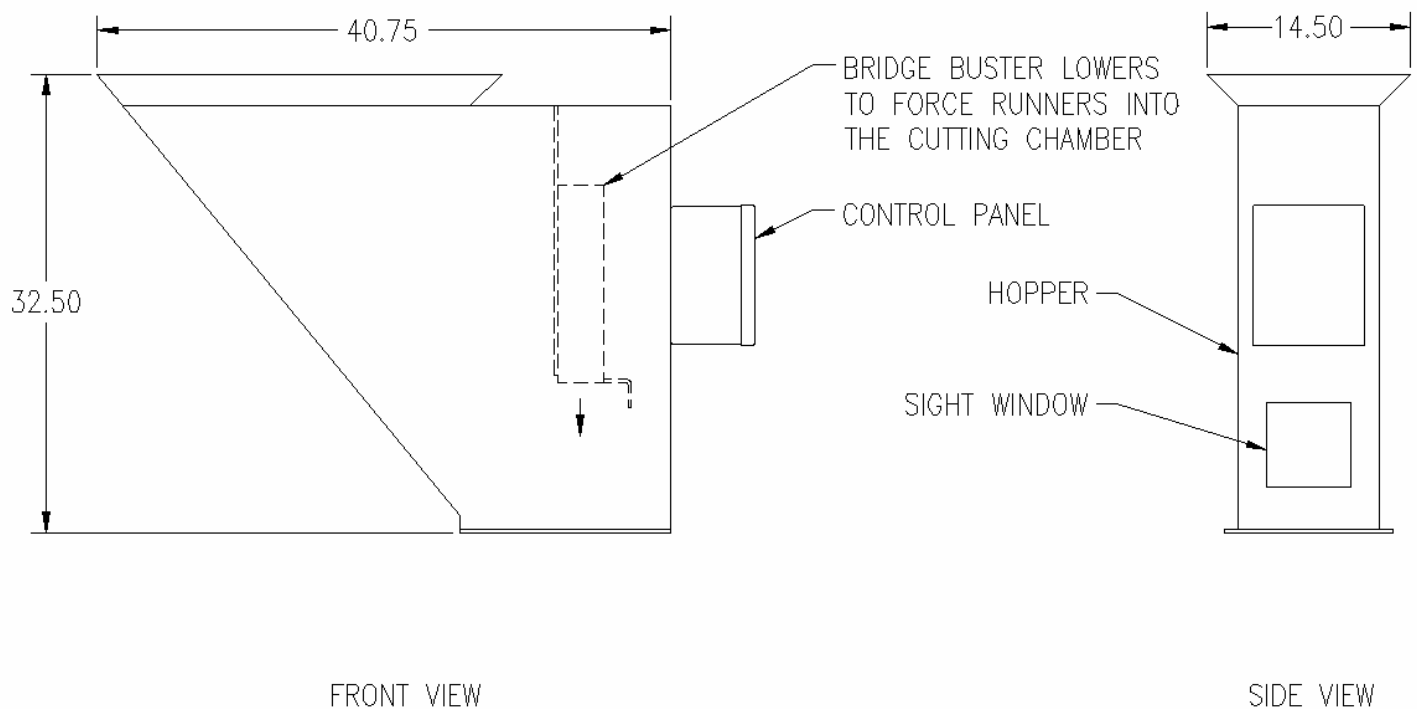


SR1013 Bridge Buster Hopper*



The new, SRS “Bridge-Buster” is a force feed hopper that consistently forces large runners into the cutting chamber. The “Bridge-Buster” hopper can be added to your existing Bi-Cutter screenless granulator or added to your new granulator order.

Benefits Include:

- Helps eliminate large runner bridging
- Independent Allen Bradley electrical controls
- Eliminates downtime due to back-up and overflow caused by bridging
- Allows Bi-Cutter to process larger runners
- Maximizes the use of the Bi-Cutter by processing all size runners^a

*The above specifications are subject to change without prior notice.

^aThroughput and capacity will vary depending on material type, diameter and size of runner. It is also dependent on cutter size and gear ratio provided.